

1B3N21226

(Pages : 2)

Reg. No:.....

Name:

FAROOK COLLEGE (AUTONOMOUS), KOZHIKODE

Third Semester BVOC AUTO/BVOC SD Degree Examination, November 2021

GEC3EG07 - Writing for Academic and Professional Success

(2020 Admission onwards)

Time: 2 ½ hours

Max. Marks: 80

I. All questions can be answered. (Each questions carries two marks)

- 1 What is academic writing?
- 2 How do you define case study?
- 3 Write three key features of 'analytical approach'.
- 4 Define 'academic integrity'.
- 5 What are the three types of sentences in a body paragraph?
- 6 Punctuate the given sentence.
when he was young shakespeare who went on to become the greatest writer of all times
married a woman eight years his senior
- 7 Give formal alternatives of the following colloquial expressions.
a. Beyond doubt b. lose temper c. stumbling block d. part and parcel of
- 8 What are discourse markers? Give two examples.
- 9 Differentiate between 'em dash' and 'en dash'.
- 10 Differentiate between in-text-documentation and bibliography.
- 11 What are surveys?
- 12 Give four transition words or phrases used for signalling 'Process Analysis'.
- 13 What is a blog?
- 14 Give examples for gendered expressions in English.
- 15 Revise the following wordy sentences.
a) The coat that Anita wore for the party was blue in colour.
b) It is expected that the monsoon schedule will be announced by the Kerala State Road Transport Corporation within the next few days.

Ceiling 25 Marks

II. Write a paragraph of about 100 words on the following questions. (Each question carries five marks)

- 16 List the rhetorical modes and their main functions.
- 17 What are the general guidelines for classification?
- 18 Correct the following sentences.
 - a) Either Geeta or her sister have done this.
 - b) Twenty thousand rupees are a meagre salary these days.
 - c) She couldn't believe that she wins a lottery.
 - d) A bouquet of flowers were presented to her on her birthday.
 - e) Arun finished his essay, tidies his room, and went out for supper.
- 19 What are the elements of email- etiquette.
- 20 Write a brief review of a film you have watched recently
- 21 Briefly discuss the features of descriptive writing.
- 22 Write a cause-and-effect paragraph on 'divorces'.
- 23 Explain the procedure for summarising.

Ceiling 35 Marks

III Write essay on any two of the following questions in about 250 words. (Each question carries ten marks)

- 24 Discuss the genres of academic writing and their distinctive uses.
- 25 Attempt an argumentative essay on any one of the following.
 - a) Should content on YouTube be better regulated?
 - b) Is reading a dying habit in the digital age?
 - c) Are college uniforms a good idea?
- 26 Prepare a cover letter and CV to apply for the post of English teacher in an English medium school.
- 27 Write a report to the HOD of your Department recommending him to buy a good computer system available in the market.

(2 x 10 = 20 Marks)

1B3N21227

(Pages : 4)

Reg. No:.....

Name:

FAROOK COLLEGE (AUTONOMOUS), KOZHIKODE

Third Semester BVOC AUTO/BVOC SD Degree Examination, November 2021

GEC3FM08 - Financial and Management Accounting

(2020 Admission onwards)

Time: 2 ½ hours

Max. Marks: 80

PART-A

Answer *all* questions

Each question carries *two* marks

Ceiling- 25 marks

1. Define Accounting.
2. What is Dual Aspect concept?
3. List out any four examples of Nominal accounts.
4. What is 'Posting'?
5. What are Current Liabilities?
6. What are Intangible Assets?
7. What is Horizontal analysis?
8. What is Common Size financial Statements?
9. What is meant by Contra Entry?
10. Define Marginal costing.
11. What is P/V Ratio?
12. What is BEP?
13. What is Flexible Budget?
14. List out any two advantages of management accounting.
15. What is Material Cost Variance?

PART B
Answer all questions
Each question carries five marks
Ceiling- 35 marks

16. Differentiate between Single Entry system and Double Entry system.
17. Briefly explain any two Sub-divisions of journal
18. Discuss the limitations of management Accounting.
19. What are Labour Cost Variances? Discuss various reasons behind Labour Cost variances.
20. Journalise the following transactions.
 Dec.1, Ajith started business with Cash ₹40,000.
 Dec. 3, he paid in to Bank ₹ 3,000.
 Dec. 5, he purchased goods for cash ₹ 15,000.
 Dec. 9, sold goods for cash ₹ 6,000.
 Dec.11, he withdrew goods for personal use ₹ 2,000
 Dec. 17, he paid rent ₹ 3,500
21. From the following data relating to Profit and Loss Account for the year ended 31st December, 2019 and 2020, You are required to prepare Comparative income statement.

PROFIT AND LOSS ACCOUNT

Particulars	2019	2020	Particulars	2019	2020
To Cost of goods sold	6,000	7,500	By Net Sales	8,000	10,000
To Operating expenses:					
Administrative expenses	200	200			
Selling expenses	300	400			
To Net Profit	1,500	1,900			
	8,000	10,000		8,000	10,000

22. Calculate P/V Ratio, if; Sales ₹ 5,00,000 from 10,000 units,
 Variable cost ₹ 25 per unit
 Fixed cost ₹ 1,00,000.

23. From the following data, Find out Material Cost variance.

Standard Output	600 units
Actual Output	500 units
Standard quantity per unit	1 kg.
Total Actual quantity used	600 kg.
Standard rate per unit	₹ 14 per kg.
Actual rate per unit	₹ 15 per kg.

PART C

Answer any *two* questions
 Each question carries *ten* marks

24. Discuss in detail various tools of financial statements analysis.
 25. What do you meant by standard costing? Discuss various steps in standard costing.
 26. From the following information, Calculate-

i)P/V Ratio ii) Break-Even Point iii)Margin of Safety

Total sales	₹ 3,00,000
Selling price (unit)	₹ 100
Variable cost	₹ 40
Fixed cost	₹ 90,000

27. From the following balances extracted from the books of ABC Ltd, Prepare Trading and Profit and Loss Account for the year ending 31st December, 2020.

Particulars	(₹)	Particulars	(₹)
Opening stock	1,250	Plant and Machinery	6,230
Sales	11,800	Return outwards	1,280
Depreciation	667	Cash in hand	895
Commission (Cr)	211	Salaries	750
Insurance	380	Debtors	1,905
Carriage inwards	300	Discount (Dr.)	328
Furniture	670	Bills receivable	2,730
Printing charges	481	Wages	1,589
Carriage outwards	200	Return inwards	1,659
Capital	9,228	Bank overdraft	4,000
Creditors	1,780	Purchases	8,679
Bills payable	541	Bad debts	180

The value of Closing stock on 31st December, 2020 was ₹ 3,700.

(2 x10 = 20Marks)

1B3N21228

(Pages : 2)

Reg. No:.....

Name:

FAROOK COLLEGE (AUTONOMOUS), KOZHIKODE

Third Semester BVOC AUTO/BVOC SD Degree Examination, November 2021

GEC3ED09 - Entrepreneurship Development

(2020 Admission onwards)

Time: 2 ½ hours

Max. Marks: 80

PART – A

Answer *all* questions.

Each question carries Two mark.

Ceiling -25 Marks

1. Define Entrepreneurship.
2. Who is an intrapreneur?
3. List out the cultural factors affecting entrepreneurial growth.
4. Who is a Fabian entrepreneur?
5. What are the phases of EDP?
6. What do you mean by incentive?
7. Define MSME.
8. What is green channel?
9. What is bridge capital?
10. What is feasibility analysis?
11. What is technical analysis?
12. Write expansion of NIESBUD.
13. Give two objectives of project report.
14. What is ideal location?
15. What do you know about single window scheme?

PART – B

Answer *all* questions.

Each question carries Five marks.

Ceiling -35 Marks

16. What are the characteristics of an entrepreneur?
17. Explain the common entrepreneurial traits.
18. Define women entrepreneurship. Discuss the problems of women entrepreneurs in India?
19. Enumerate important objectives of MSME?
20. What are the services rendered by KITCO for the entrepreneurial development in Kerala?
21. Briefly explain criteria for selecting particular project.
22. Discuss the government regulations for project clearance.
23. What is the role of SIDBI in the financing of small industries?

PART - C

**Answer any two questions.
Each question carries Ten marks.**

24. Define entrepreneur. Explain factors affecting entrepreneurial growth.
25. Explain the various subsidies and incentives offered by Govt of Kerala.
26. Discuss general principles of a good reporting system. Briefly explain the contents of a project report.
27. Explain the procedure of setting up of a small-scale industrial unit.

2 x 10 = 20 Marks

FAROOK COLLEGE (AUTONOMOUS), KOZHIKODE

Third Semester BVOC AUTO Degree Examination, November 2021

SDC3AE09 – Circuit Theory and Power Systems

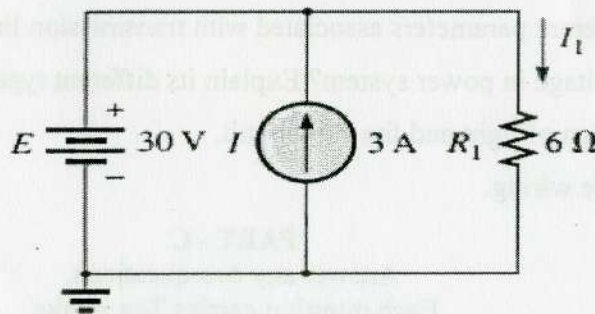
(2020 Admission onwards)

Time: 2 ½ hours

Max. Marks: 80

PART – AAnswer *all* questions.Each question carries **Two** mark.**Ceiling -25 Marks**

1. Explain current division rule?
2. What is energy signal and power signal?
3. Is the signal, $X(t) = 2$ is odd or even signal?
4. State Norton's theorem.
5. Determine current I_1 for the given network, using superposition theorem.



6. Explain hybrid parameter of a two port network.
7. What is the purpose of moderator and controlling rods in nuclear power station?
8. Name the different types of conductors used in overhead power transmission.
9. Explain grading of cable.
10. What are different types of arc quenching medium used in circuit breakers?
11. What is asymmetrical fault?
12. What is balanced beam type relay?
13. Explain earthing and necessity of earthing.
14. List out the advantages and disadvantages of Batten wiring.
15. What is sub circuit and what are the different types of sub circuit used in domestic wiring?

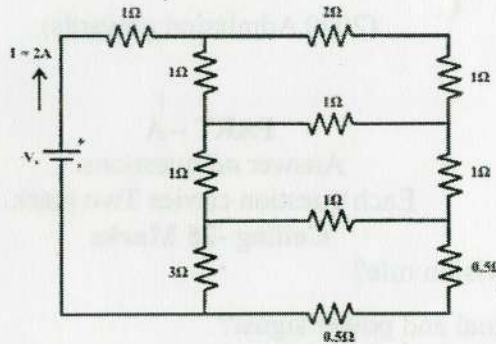
PART – B

Answer *all* questions.

Each question carries **Five** marks.

Ceiling -35 Marks

16. What is Band width and Q factor? Discuss its equations in different resonance circuit.
17. Calculate the effective resistance between in the circuit given below



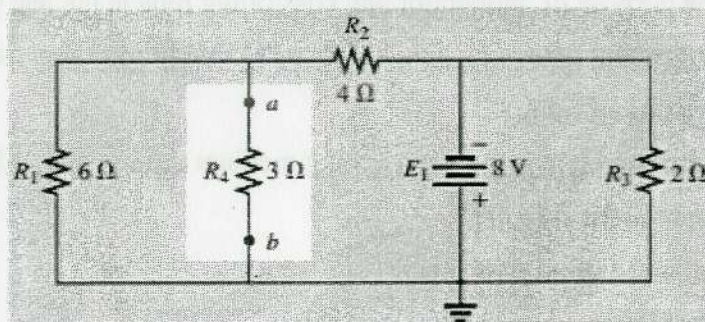
18. Explain maximum power transfer theorem and its procedure.
19. The maximum demand of a power plant is 40MW. The capacity factor is 0.6 and utilization factor is 0.7 . Find (a) Load factor, (b) Plant capacity and (c) Reserve capacity
20. Explain the different parameters associated with transmission lines.
21. What is over voltage in power system? Explain its different types present in the system.
22. Explain the design of light and fan sub-circuit.
23. Explain staircase wiring.

PART - C

Answer any *two* questions.

Each question carries **Ten** marks.

24. What is resonance in a network? Compare the features of series resonance and parallel resonance.
25. Find the Thévenin equivalent circuit for the network about ab.



26. Draw the schematic diagram and explain
 - a) Tidal power plant
 - b) Biomass power plant
 - c) Geo-thermal power plant
27. Sketch the schematic diagram and explain SF6 Circuit Breaker and its advantages.

2 x 10 = 20 Marks

1B3N21230

(Pages : 2)

Reg. No:.....

Name:

FAROOK COLLEGE (AUTONOMOUS), KOZHIKODE

Third Semester BVOC AUTO Degree Examination, November 2021

SDC3AE10 - Automotive Electrical and Electronic systems

(2020 Admission onwards)

Time: 2 ½ hours

Max. Marks: 80

PART – A

Answer all questions.

Each question carries Two mark.

Ceiling -25 Marks

1. Define automotive Battery.
2. Explain Boost charging of an automobile battery.
3. Name the different capacity rating of an automobile battery.
4. Explain the minimum starting speed of a starting motor.
5. Explain how the principle of free wheel clutch is effectively used in pre engaged starters?
6. What are the factors to be accounted while we design a starter system?
7. What are the requirements of charging systems in an automobile?
8. Give a few examples of intermittent electrical load of the vehicle.
9. Explain about the earth return system.
10. Write the principle of operation of ECU.
11. Explain trafficators.
12. Draw the dashboard symbol for oil pressure warning?
13. What do you mean by visual inspection in fault finding ?
14. How do we troubleshoot Diodes and LEDs with a Multimeter?
15. If a vehicle shows the symptom of sound quality of horn is very poor what will be the possible fault?

PART – B

Answer all questions.

Each question carries Five marks.

Ceiling -35 Marks

16. What are the different causes of battery failure?
17. Explain the constructional details of Pb-Acid battery.
18. Draw and explain the block diagram of the vehicle starter.
19. What are the checkpoints to be noted down while we conduct periodic maintenance on the starting motor?
20. Compare salient pole type and cylindrical type.
21. What are the causes of noise in the alternator?
22. Explain OBD-1 and OBD-2.
23. Write a short note on ECU/ECM repair.

PART - C

Answer any two questions.

Each question carries Ten marks.

24. What are the different physical and electrical tests that can be conducted in a battery? Explain in detail.
25. Classify motors and starting motors in detail.
26. Explain the principle and constructional aspects of an alternator.
27. Write an essay on symptoms and possible faults of charging system malfunction.

2 x 10 = 20 Marks